

## How to program LPC1700, LPC2000 and LPC900 microcontrollers with PoUSB12

Hardware used: PoUSB12: [www.poscope.com](http://www.poscope.com)

Software used for programming all devices: <http://www.flashmagictool.com/>

### LPC1300, LPC1700, LPC2000 and LPC2300

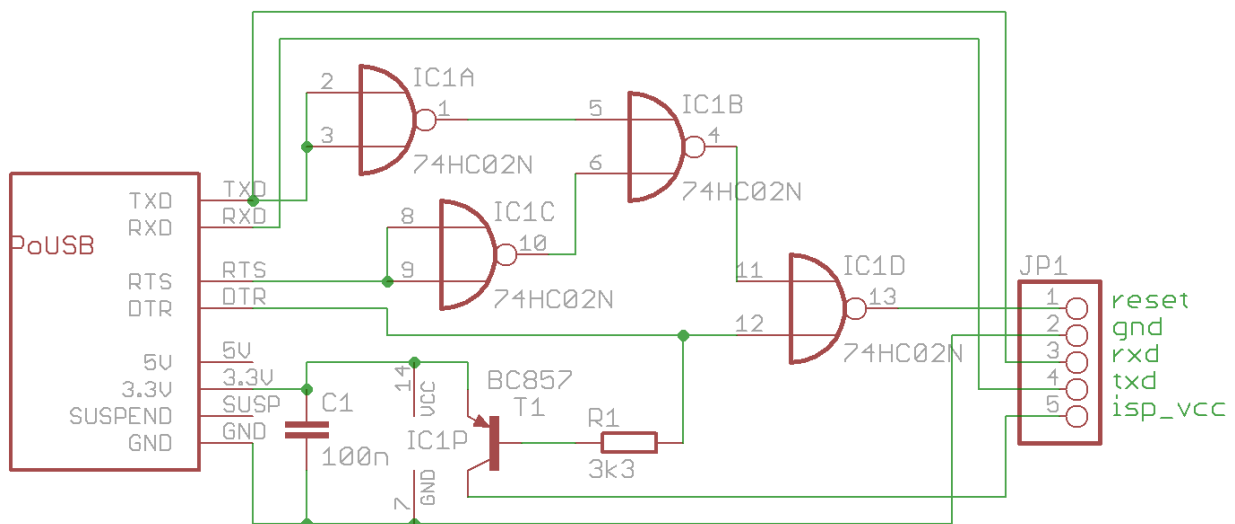
To program LPC ARM and Cortex devices, you should directly connect PoUSB12 to microcontroller as described in table.

PoUSB12	LPC2000	LPC2300	LPC1700	LPC1300
DTR	/RST	/RST	/RST	/RST
TXD	RXD0= P0.1	RXD0 = P0.3	RXD0 = P0.3	RXD0 = PIO1.6
RXD	TXD0 = P0.0	TXD0 = P0.2	TXD0 = P0.2	TXD0 = PIO1.7
RTS	/ISP = P0.14	/ISP = P2.10	/ISP = P2.10	/ISP = (TBD)
GND	GND	GND	GND	GND

Microcontroller must be connected to power supply! 3,3V from PoKeys12 can be used when maximum current is not exceeded.

### LPC900

To program LPC900 series, you need these circuit:



LPC900 ISP programmer